

BLICKMAN



Gowning Benches

Comfortable, practical, sterile seating to apply PPE

Includes:

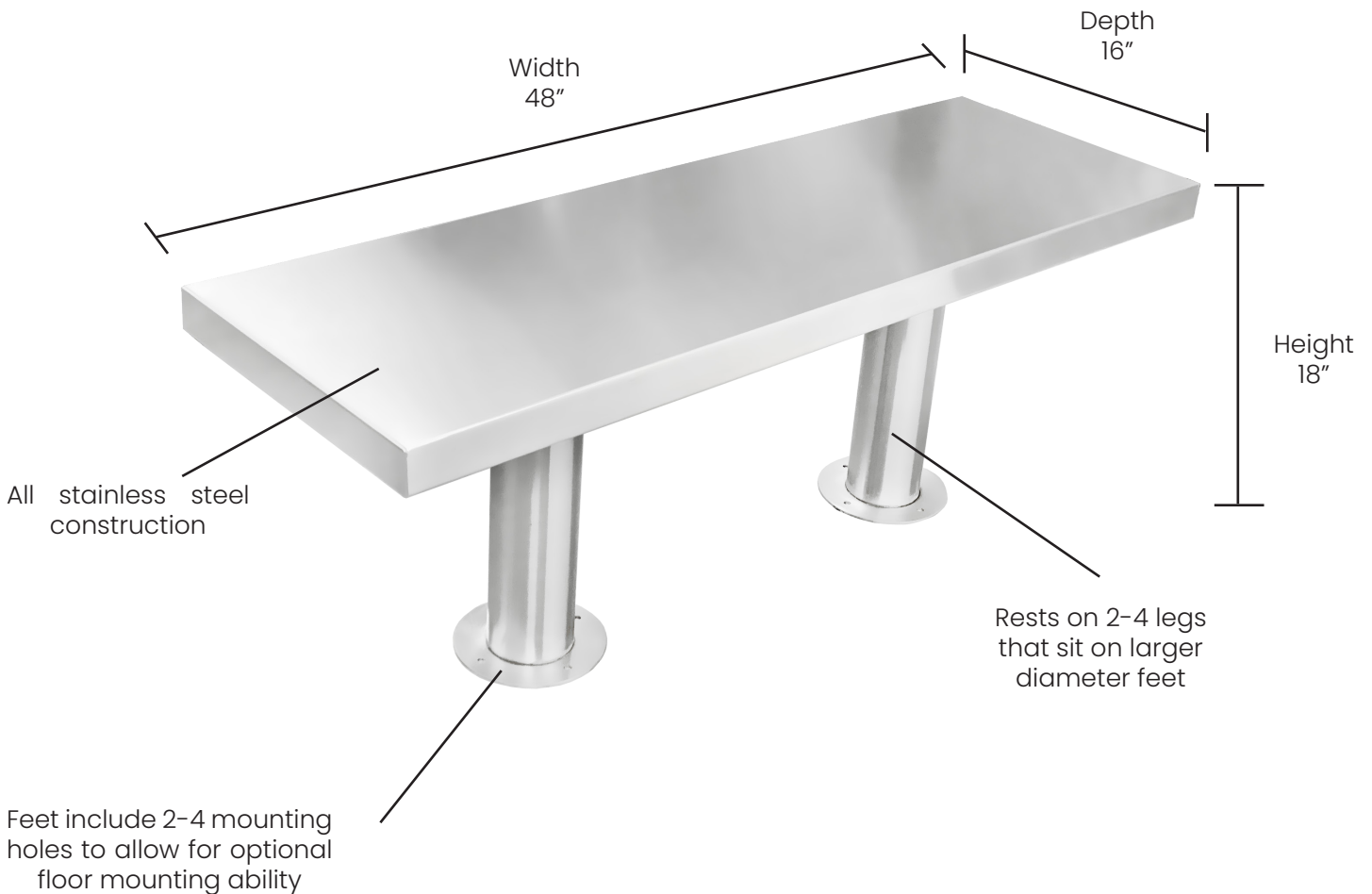
- Mounted Gowning Bench
- Freestanding Gowning Bench
- Knockdown Gowning Bench



THE BLICKMAN DIFFERENCE

- Our gowning benches are completely made out of all 304 stainless steel sealed for a sterile environment and easy to clean surface areas.
- All our gowning bench models rest at an ergonomic height providing a comfortable and practical seat for applying personal protective equipment (PPE).
- The rounded edges on all our gowning benches allow for comfortable seating and ensures resistance to PPE snagging.
- All models include floor mounting holes in the feet to optionally mount the bench to the floor to secure its placement.

Key Product Features



Gowning Benches

All Models

Description: Our gowning benches are made out of a heavy-duty stainless steel that provides a comfortable and practical seat for applying personal protective equipment (PPE). The solid top allows for sterilization and floor mounting options on all models for secure placement. Rounded edges for seating comfort and insuring resistance to thin fabric snagging.

All gowning benches have the same dimensions:

Width: 48" x Height: 18" x Depth: 16"



Mounted Gowning Bench

Model #	4200SS
Item #	1074200000
Shipping Weight	112 lbs.



Freestanding Gowning Bench

H-Brace

Model #	4100SS
Item #	1074100000
Shipping Weight	102 lbs.



Stainless Steel Shelf

Model #	4110SS
Item #	1074110000
Shipping Weight	107 lbs.



Knockdown Gowning Bench

Model #	4000SS
Item #	1074000000
Shipping Weight	65 lbs.

Gowning Benches

Construction Specifications

Construction Specifications

Universal Dimensions 48"W x 18"H x 16"D

Materials 304 stainless steel

Gauge Top: 14GA
Bottom & Legs: 16 GA

Welding All welding by heliarc method and exposed welds are ground smooth

Finish Exposed surfaces are free from pit marks, weld seams, scale and are polished with #4 polish to a satin finish

Casters N/A

Notes

- 48" x 16" bench sits 18" off the ground
- Two 4" diameter legs with 7" diameter feet with mounting holes
- Bottom is completely closed off for easy cleaning and upkeep

Custom Designs Available Upon Request

Please email us at info@blickman.com

Shipping Information

All shipping weights are estimates and may be changed without prior notice. Specifications may be improved and dimensions changed without prior notice. Please contact customer service for estimated shipping costs at info@blickman.com.

Toll Free: (800) 247-5070

Local: (973) 330-0557

BLICKMAN

www.blickman.com

info@blickman.com

1099 Wall Street West, Suite 250A, Lyndhurst, NJ 07071